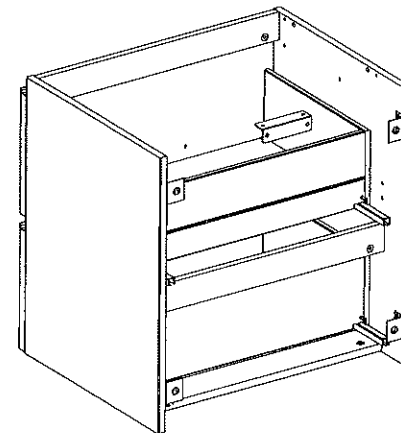
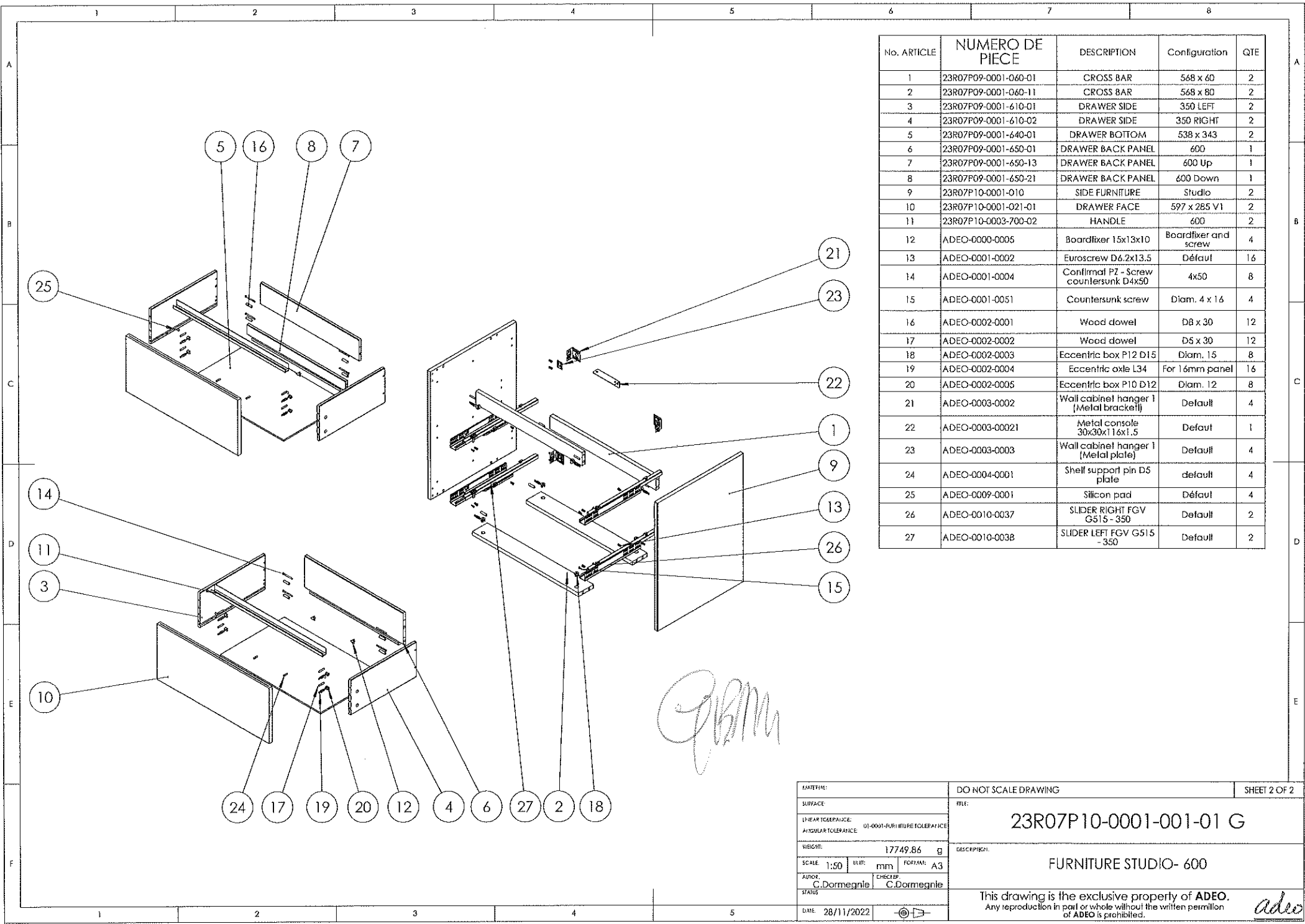


QBM



MATERIAL		DO NOT SCALE DRAWING		SHEET 1 OF 2	
SURFACE		TITLE		23R07P 10-0001-001-01 G	
LINEAR TOLERANCE		ANGULAR TOLERANCE		DESCRIPTION	
01-0001-FURNITURE TOLERANCE		17749.86 g		FURNITURE STUDIO- 600	
WEIGHT:		SCALE: 1:50		UNIT: mm	
FORM: A3		AIRBOR: C.Dormegnie		CHECKER: C.Dormegnie	
STATUS:		DATE: 28/11/2022		This drawing is the exclusive property of ADEO. Any reproduction in part or whole without the written permission of ADEO is prohibited.	

adeo



No. ARTICLE	NUMERO DE PIECE	DESCRIPTION	Configuration	QTE
1	23R07P09-0001-060-01	CROSS BAR	568 x 60	2
2	23R07P09-0001-060-11	CROSS BAR	568 x 80	2
3	23R07P09-0001-610-01	DRAWER SIDE	350 LEFT	2
4	23R07P09-0001-610-02	DRAWER SIDE	350 RIGHT	2
5	23R07P09-0001-640-01	DRAWER BOTTOM	538 x 343	2
6	23R07P09-0001-650-01	DRAWER BACK PANEL	600	1
7	23R07P09-0001-650-13	DRAWER BACK PANEL	600 Up	1
8	23R07P09-0001-650-21	DRAWER BACK PANEL	600 Down	1
9	23R07P10-0001-010	SIDE FURNITURE	Studio	2
10	23R07P10-0001-021-01	DRAWER FACE	597 x 285 V1	2
11	23R07P10-0003-700-02	HANDLE	600	2
12	ADEO-0000-0005	Boardfixer 15x13x10	Boardfixer and screw	4
13	ADEO-0001-0002	Euro screw D6.2x13.5	Défaul	16
14	ADEO-0001-0004	Conformal PZ - Screw countersunk D4x50	4x50	8
15	ADEO-0001-0051	Countersunk screw	Diam. 4 x 16	4
16	ADEO-0002-0001	Wood dowel	D8 x 30	12
17	ADEO-0002-0002	Wood dowel	D5 x 30	12
18	ADEO-0002-0003	Eccentric box P12 D15	Diam. 15	8
19	ADEO-0002-0004	Eccentric axle L34	For 16mm panel	16
20	ADEO-0002-0005	Eccentric box P10 D12	Diam. 12	8
21	ADEO-0003-0002	Wall cabinet hanger 1 (Metal bracket)	Default	4
22	ADEO-0003-00021	Metal console 30x30x116x1.5	Default	1
23	ADEO-0003-0003	Wall cabinet hanger 1 (Metal plate)	Default	4
24	ADEO-0004-0001	Shell support pin D5 plate	default	4
25	ADEO-0009-0001	Silicon pad	Défaul	4
26	ADEO-0010-0037	SLIDER RIGHT FGV G51S - 350	Default	2
27	ADEO-0010-0038	SLIDER LEFT FGV G51S - 350	Default	2

QBM

DATE/FIN:		DO NOT SCALE DRAWING		SHEET 2 OF 2	
SURFACE:		TITLE: 23R07P10-0001-001-01 G			
LINEAR TOLERANCE: 01-0001-FURNITURE TOLERANCE		DESCRIPTION: FURNITURE STUDIO- 600			
ANGULAR TOLERANCE:		WEIGHT: 17749.86 g		SCALE: 1:50 UNIT: mm FORMATE: A3	
AUTHOR: C.Dormegnle		CHECKER: C.Dormegnle			
STATUS:		DATE: 28/11/2022			
This drawing is the exclusive property of ADEO. Any reproduction in part or whole without the written permission of ADEO is prohibited.					

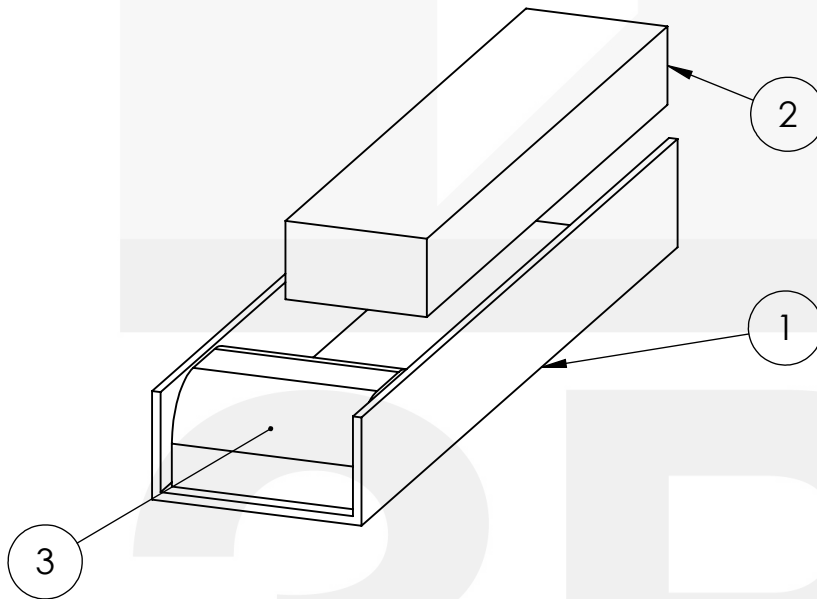
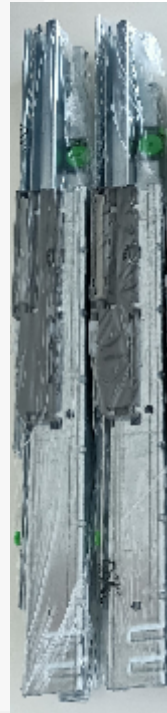


Rev	Modifiche - Modifications	Data - Date	Firma - Signature	Particolare - Detail	Localazione - Location	Roy
	PRIMA EMISSIONE	13/01/23	GBM	IMBALLO/packing U FILLER STUDIO 600	002256	.
				Nome modello CLIENTE - CUSTOMER model name	Disegno Nr. - Technical drawing number	
				Base 600 900_Ext 600 Studio	MBC90-U CARTONE	
				Codice dis. CLIENTE - CUSTOMER drawing code	- Tolleranze dimensionali / Size tolerances*: Lunghezza e Larghezza, Length and Width: ≤850 mm ± 0,5 mm >850 mm ± 0,7 mm Spessore, Thickness: ± 0,3 mm	
				PROPRIETA' PRIVATA. E' VIETATA PREVIA AUTORIZZAZIONE, RIPRODURLI, COMMERCIALI A TERZI O METTERLI A LORO DISPOSIZIONE UNAUTHORIZED USE, MANUFACTURE OR REPRODUCTION IN WHOLE OR IN PART IS PROHIBITED. DRAWING, DESIGN AND OTHER DISCLOSURES ARE PROPERTY OF 3B	- Tolleranze d'imbarco / Bowing tolerances*: Convesso e Concavo, Convex and Concave: ± 1,5 mm/m	
www.3bspa.com				▲ Lato Grezzo Raw side	210x297 UNI A4	- Per le altre Tolleranze / For the other Tolerances*: far riferimento alla specifica allegata all'offerta "Allegato 1" refer to the spec attached to the offer "Annex 1"
VIA DELLE INDUSTRIE 1 31040 SALGAREDA (TREVISO) ITALY TEL. 0422/747053 FAX 0422/807594				■ Lato stonato Post formed side		*Salvo diverse indicazioni riportate sul disegno *Unless different indications specified on drawings
				● Lato Bordato Edgebanded side	Scala:1:10	
Per produzione 3B, salvo diverse indicazioni riportate sul disegno, seguire la specifica SP AQ 021 For 3B production, in case of no different indications on the drawing, refer to spec. SP AQ 021						



3- Packed in PE-LD bag

2- Packed with shrink film PE-LD



N°	Disegno drawing	Q.tà q.ty	Descrizione description	Lungh. length	Largh. width	Sp. thickness
1		1	U FILLER PRESSATO	591	148	76
2		1	SET 2 GUIDE / RUNNERS FGV	500	300	18
3	MBC90-26	1	SACCHETTO FERRAMENTA/ fitting bag	130	120	70