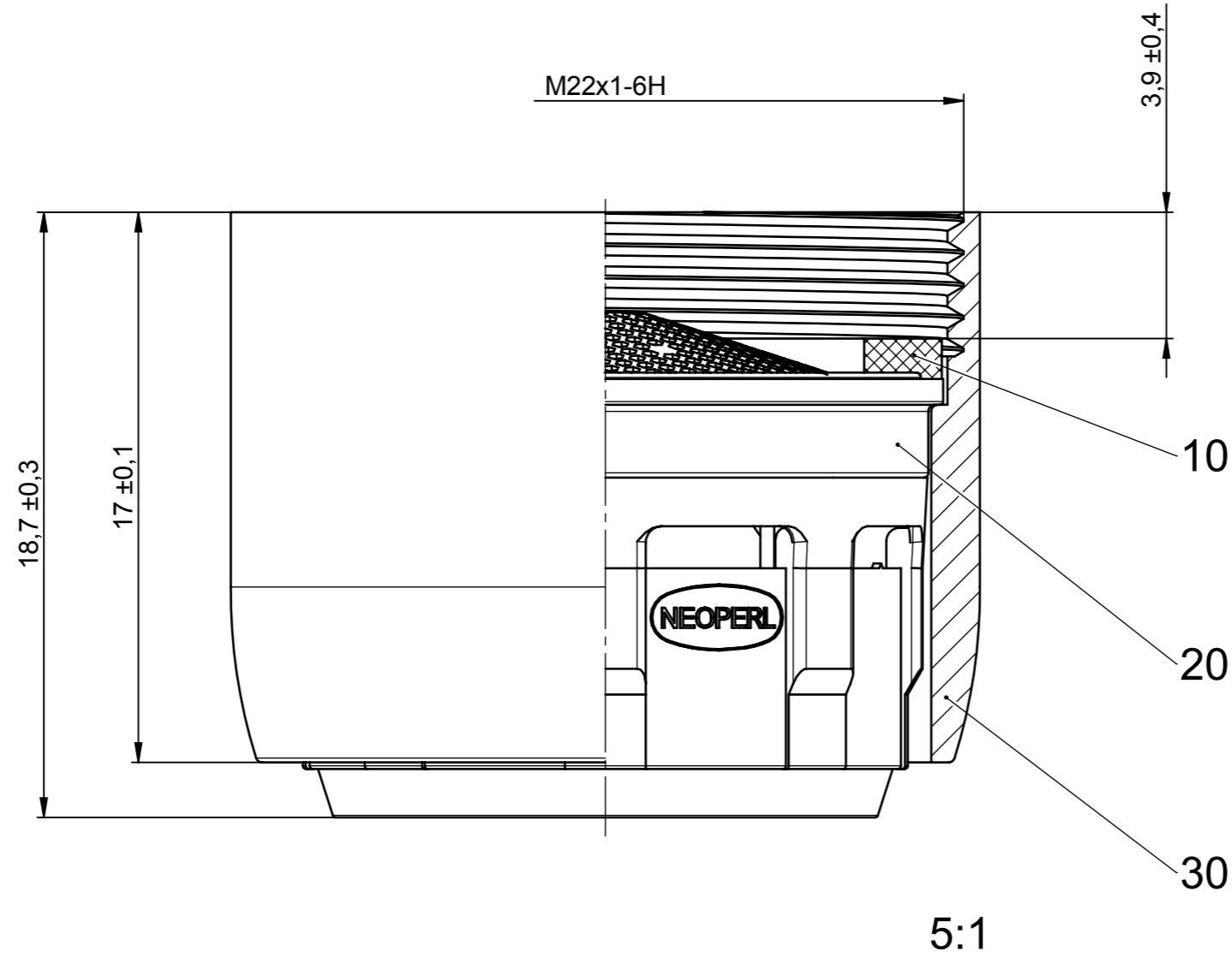


Weitergabe sowie Vervielfältigung dieser Unterlage, Verwertung und Mitteilung ihres Inhalts nicht gestattet, soweit nicht ausdrücklich zugestanden. Zuwiderhandlungen verpflichten zu Schadensersatz. Alle Rechte für den Fall der Patenterteilung oder Gebrauchsmuster-Eintragung vorbehalten.

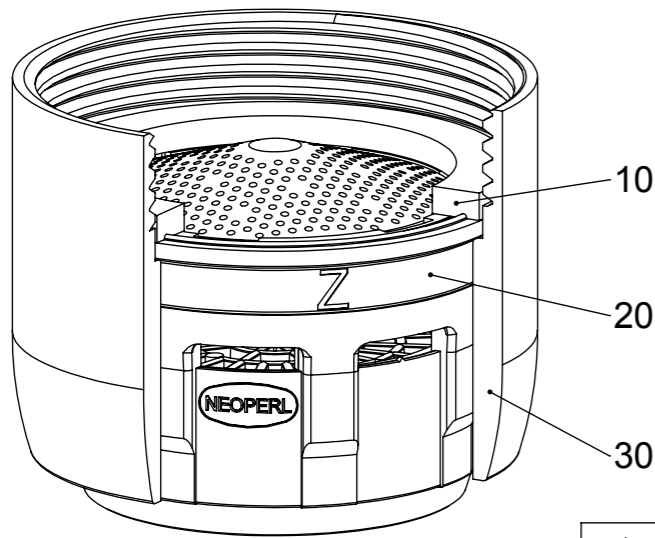
Copying of this document, and giving it to others and the use or communication of the contents thereof, are forbidden without express authority. Offenders are liable to the payment of damages. All rights are reserved in the event of the grant of a patent or the registration of a utility model or design.

| Part No. | Flow Rate | Colour Code |
|---------------|-----------|-------------|
| 40.0002.02C00 | Z | light green |
| 40.0003.02C00 | A | light blue |
| 40.0005.02C00 | B | dark blue |



| Qty. | Title | Pos. | Part-No. | Material |
|------|----------------------|------|---------------------|--|
| 1 | Mundstück IG M22 NP | 30 | 50.1101.50000 | CuZn39 Pb3 verchromt |
| 1 | CC-SLC-STD-IT-C-A-D | 20 | see following sheet | see Part No. 40.0002.00800 - 40.0007.00800 |
| 1 | washer 16,0x20,8x1,5 | 10 | 55.1211.10000 | NBR |

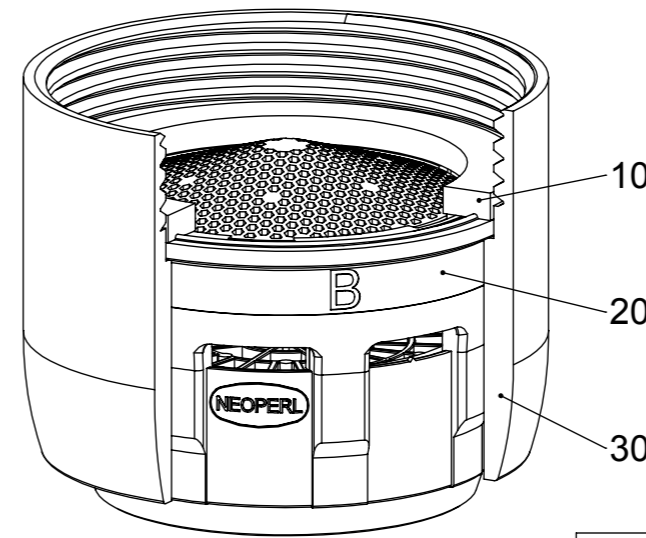
| | | | | |
|--|-------------|--|--|---------------|
| NEOPERL GmbH D-79379 Müllheim | | Change No.: 50000006877 Date: 08.10.2020 Drawn: R. Weis | Approval of drawing change: Date: 13.10.2020 Approv.: A. Stein | Rev. B |
| Date | | Name | Part No.: 40.0002.02C00 - 40.0005.02C00 | |
| Drawn: | 07.10.2020 | R. WEIS | General tolerances DIN ISO 2768-fH | |
| Approv.: | 13.10.2020 | A. STEIN | work pieces DIN ISO 13715 | |
| Scale: 3:1 | | Title: CC-SLC-STD-f M22x1-C | | |
| Format: A3 | Page 1 of 2 | | Material: Material Description / Tradename: Colour: | |
| Volume: | | | | |
| Weight: | | | | |
| Replacement for: 40000302C00-40000502C00 REV.A (T) | | Origin: | | |



40.0002.02C00

CC-SLC-STD-f M22x1-C-Z

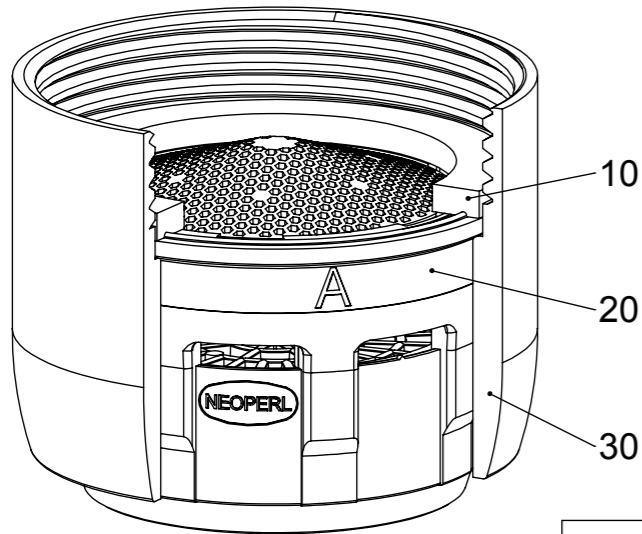
| | | | |
|------|----------------------|------|---------------|
| 1 | Mundstück IG M22 NP | 30 | 50.1101.50000 |
| 1 | CC-SLC-STD-IT-C-Z | 20 | 40.0002.00800 |
| 1 | washer 16,0x20,8x1,5 | 10 | 55.1211.10000 |
| Qty. | Title | Pos. | Part No. |



40.0005.02C00

CC-SLC-STD-f M22x1-C-B


| | | | |
|------|----------------------|------|---------------|
| 1 | Mundstück IG M22 NP | 30 | 50.1101.50000 |
| 1 | CC-SLC-STD-IT-C-B | 20 | 40.0005.00800 |
| 1 | washer 16,0x20,8x1,5 | 10 | 55.1211.10000 |
| Qty. | Title | Pos. | Part No. |



40.0003.02C00

CC-SLC-STD-f M22x1-C-A

| | | | |
|------|----------------------|------|---------------|
| 1 | Mundstück IG M22 NP | 30 | 50.1101.50000 |
| 1 | CC-SLC-STD-IT-C-A | 20 | 40.0003.00800 |
| 1 | washer 16,0x20,8x1,5 | 10 | 55.1211.10000 |
| Qty. | Title | Pos. | Part No. |

| | | | | | |
|----------------------------------|------------------|--|---|---------------------------------------|--|
| NEOPERL GmbH D-79379 Müllheim | | Change No.: 50000006877 | Approval of drawing change: | Rev. B | |
| | | Date: 08.10.2020 Drawn: R. Weis | Date: 13.10.2020 Approv.: A. Stein | | |
| | | Surface DIN EN ISO 1302 | Part No.: 40.0002.02C00 - 40.0005.02C00 | | |
| Drawn: | Date: 07.10.2020 | Name: R. WEIS | General tolerances DIN ISO 2768-fH | | |
| Approv.: | Date: 13.10.2020 | Name: A. STEIN | work pieces DIN ISO 13715 | | |
| Scale: 3:1 | |  flow, stop and go® | | Title: CC-SLC-STD-f M22x1-C | |
| Format: A3 | Page 2 of 2 | | | Material: | |
| Volume: | | | | Material Description / Tradename: | |
| Weight: | | | Colour: | | |
| | | Replacement for: 40000302C00-40000502C00 REV.A | | Origin: | |