

General Product Characteristics

other ▼

is there any wood in the product?

YES NO

display present?

YES NO

assembly required?

YES NO

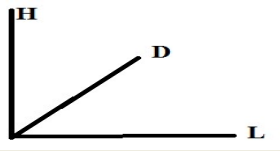
intended use

internal
 external
 internal and external

how many types of wood or wood derivatives are there in the product?

6 ▼

Product dimensions



	Packed Product (mm)	tolerance (%)
H:	322	1,0%
D:	30	2,0%
L:	322	1,0%

wood species	species Latin name	COC #	volume (cu m)	parts
MDF	<i>Pinus sylvestris, Pinus strobus, Picea abies, Betula pendula, Alnus glutinosa, Populus tremula</i>	SGSCH-COC-006179; FSC100%	0,0003604m3	Frame
HDF	<i>Pinus sylvestris, Picea</i>	CU-COC-846838; MIX CREDIT	0,0001802m3	Back
moisture content (%)	+/- (%)	gross product weight (g)	tolerance (%)	net weight
x	x	974	5,0%	950

remove row

product specific tests

test	test method	result	tolerance	comment/equipment
TEST OF STRENGTH	requested by ADEO	Pass		
TEST OF ENDURANC	requested by ADEO	Pass		

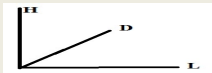
add row

remove row

Packing method				
Kind	Colours	Material	Dimension/density/thickness (mm)	Recycled %
Shrink wrap	Transparent	LDPE (low density)	19µm	0%
Corner	White	cardboard	70x70mm/390µm	80-95%
Carton box Inner	Brown	corrugated cardboard B	393g/m2	99%
Carton box Master	Brown	corrugated cardboard BC	690g/m2	99%

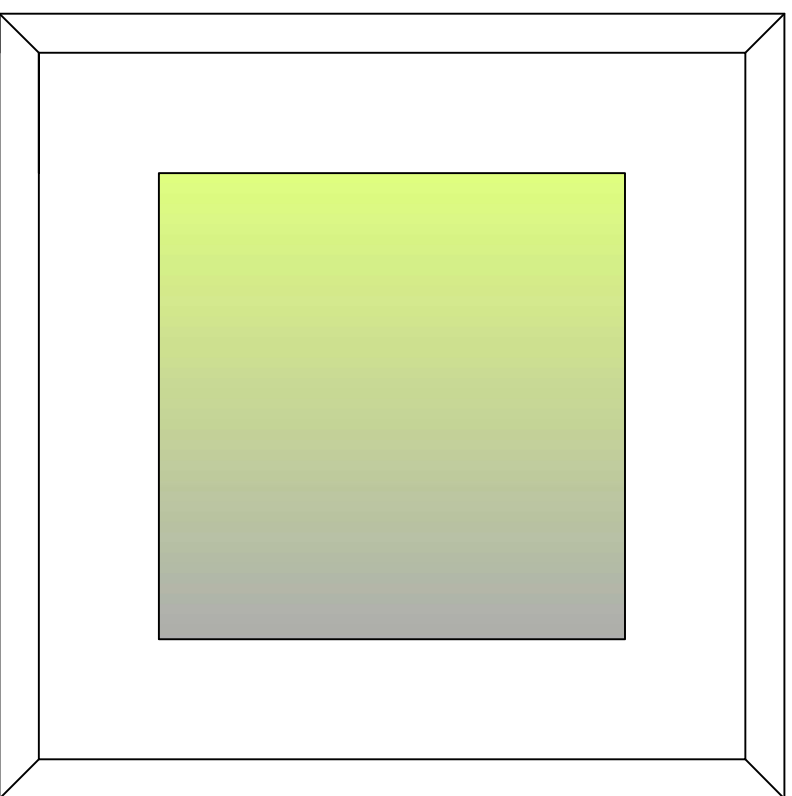
Remarks

Component	Material	BOM		
		Color	Dimensions	Quantity
Moulding	MDF/Glue/Veneer	white	16x30	4
Back	HDF	natural	300x300	1
Front	Glass		300x2x300	1
Hangers	Steel	black	32x37	1
Nail	Steel	black	4x15	8
Passé-partout	Paper	white	1mm	1
Face-paper	Paper	black/white	90g/m2	1

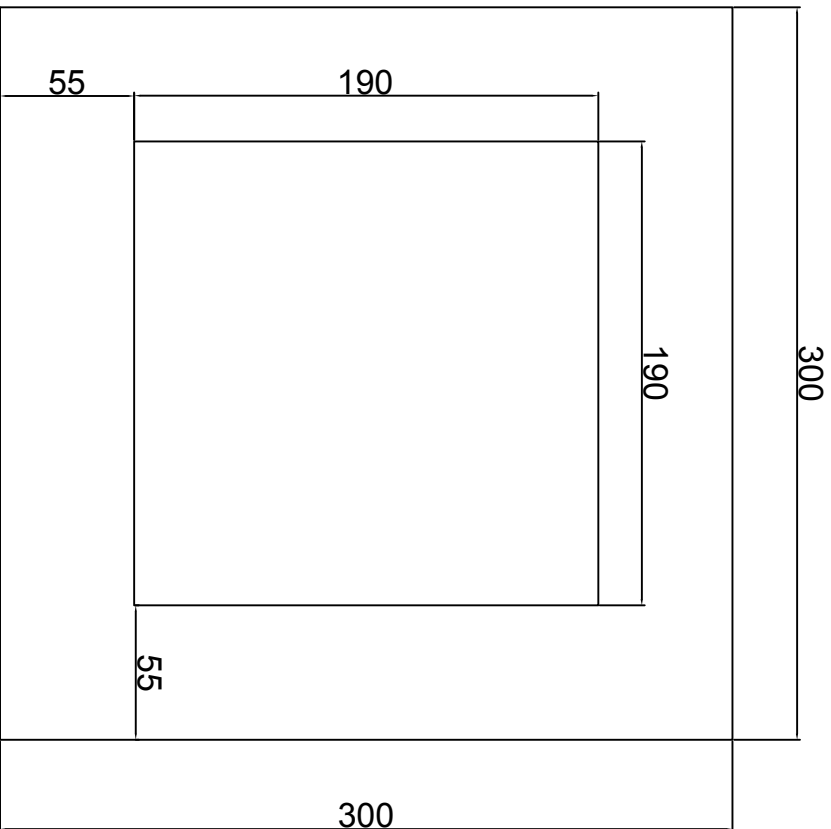


Roll type	EUR
Roll size (cm)	
H	125
D	80
L	120

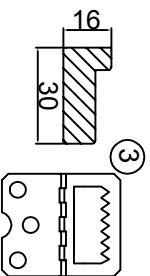
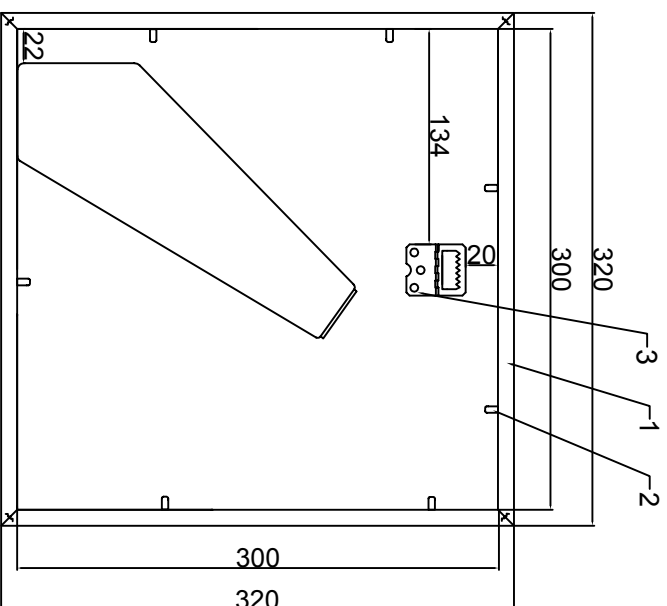
Milo 30x30



Milo 30x30



Milo 30X30



3	Zawieszka W14 - 1 szt
2	Lamflex - 8 szt
1	Ramka 320X320 mm
3	Hanger W14 - 1 pcs
2	Lamflex - 8 pcs
1	Frame 320X320 mm

Rysował		K. Rybiński		15.10.2019	Typa rysunku	ADEO ramka MILO 30X30 - Piecy	Skala
Sprawił		A. Sobieska		15.10.2019			
Zakwalifikował		A. Sobieska		15.10.2019			Numer rysunku MN/ADEO/3030